


**Prodotto e consigli per l'utilizzo**

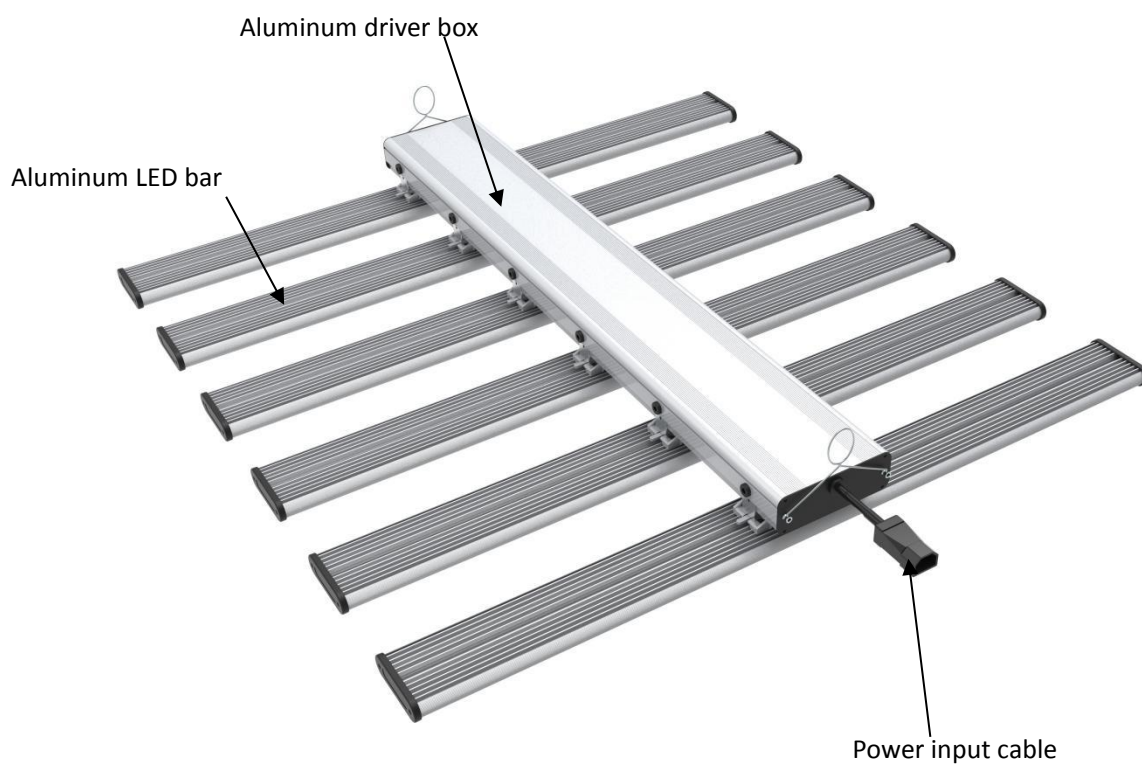
	Cod. Modello	ORTOLED-81-480
	Dimensioni	900x900x85mm
	Consumo	480W
	Applicazione	Serre indoor
	Distanza minima	40-50cm
	Cod. Modello	ORTOLED-82-720
	Dimensione	1100X1100X85mm
	Consumo	720W
	Applicazione	Serre indoor
	Distanza minima	40-50cm
	Cod. Modello	ORTOLED-83-960
	Dimensione	1100x1100x85mm
	Consumo	960W
	Applicazione	Serre indoor
	Distanza minima	40-50cm

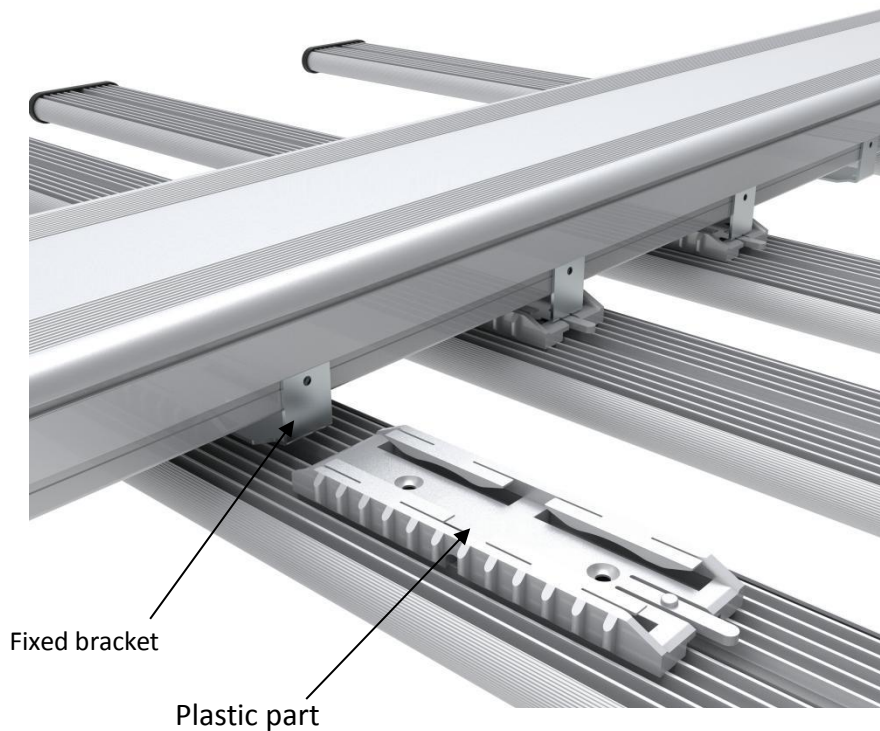
## Delivery contents

- 4/6/8 x LED bars
- 1 x driver box
- 1 x power cable
- 1 x 3m long RS485 cable
- 2 x Adjustable hanging kits

 Please keep the instruction manual and desist from throwing it away. It might come in handy with future troubleshooting.

## 1. Product Structure



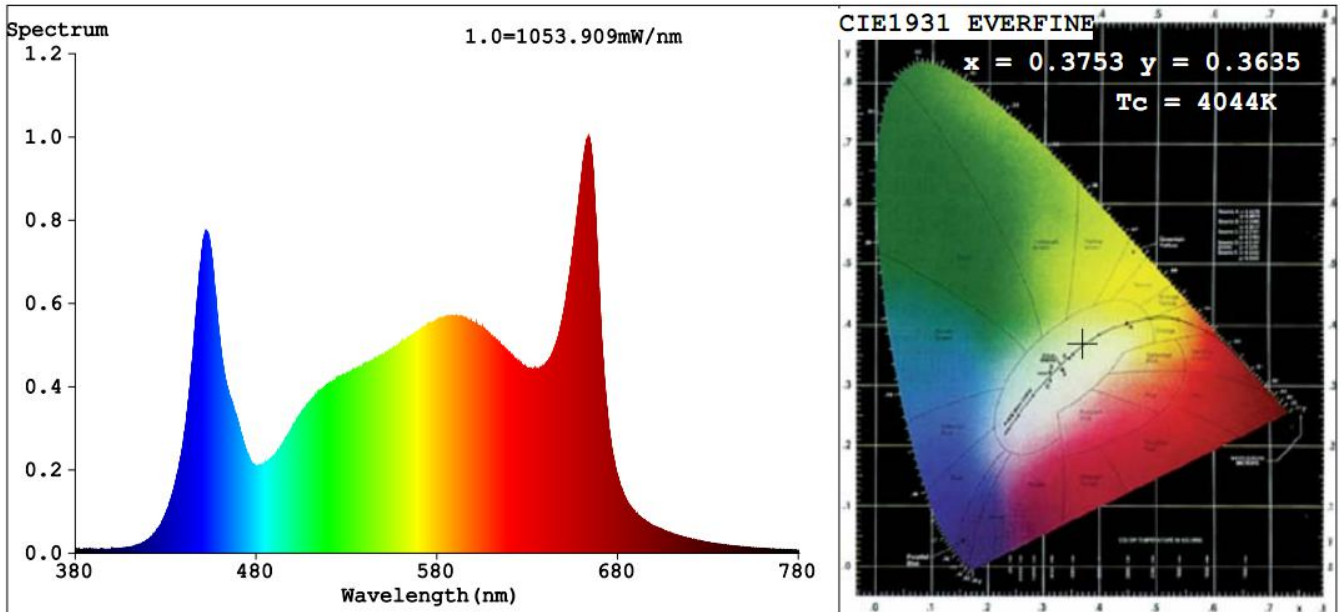


### 3. Product Datasheet:

#### 3.1 Product specifications

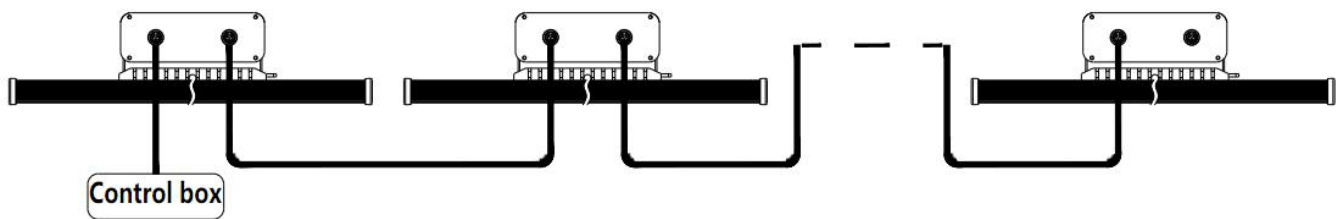
Item	ORTOLED-81-480	ORTOLED-82-720	ORTOLED-83-960
LED bar qty.	4x LED bars	6x LED bars	8x LED bars
Product Size	900*900*85mm	1100*1100*85mm	1100*1100*85mm
N.W./ G.W.	14.25KG/16.10KG	16.50KG/18.00KG	19.75KG/22.25KG
Power consumption	480W	720W	960W
LED source	Samsung/Seoul 1456pcsSMD5630 +128pcsSMD3535	Samsung/Seoul 2184pcsSMD5630 +192pcsSMD3535	Samsung/Seoul 2912pcs SMD5630 +256pcs SMD3535
Packing size	975x265x220mm	1175x265x220mm	1175x265x220mm
Application	Indoor	Indoor	Indoor
Recommended height	40cm-50cm	40-50cm	40cm-50cm
Driver	Meanwell driver		
Waterproof level	IP65		
AC input	100-277V AC		
Working tempt.	-20° ~ +40°		
Control	Control by external controller or by dimmer on board		
Life span	50000H		

## 3.2 Spectrum



## 4. Control

### 4.1 control diagram:



### 4.2 Control function:

- Timer setting
- Dimming control
- High Temp Protection
- For Large Application up to 252units
- Perfect simulation of sunrise and sunset


## 5. Preparation

- **Transportation**

Improper transportation may harm or can even cause damage to LED lamp and power housing box). In case of obvious damage or incomplete scope of supply, please refer to your vendor and Haulage company immediately.

- **Unboxing**

Please handle and unbox the LED lamp with care! Check the delivery contents for completeness first. A detailed list of the product range is contained on the inner cover in this manual.

 Through transport or due to a long storage time, the LED-modules might get a little polluted. Therefore we recommend to clean the modules before each use with a dry and soft tissue.

## 6. Installation Instruction

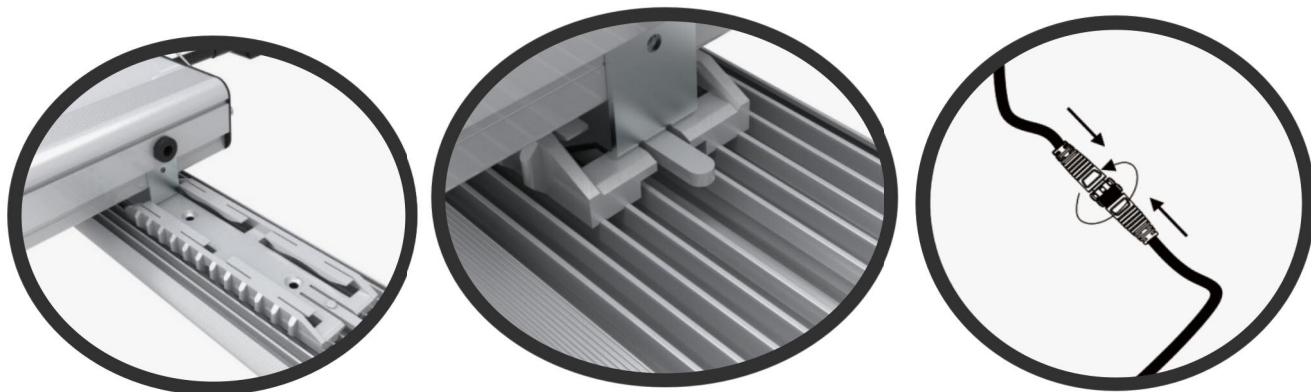
Step 1: Put driver box on flat table / ground upside down;

Step 2: Slide first single bar into bracket, plastic part can be fixed together with Bracket tightly by buckle;

Step 3: Connect power cable to each and every LED Bar

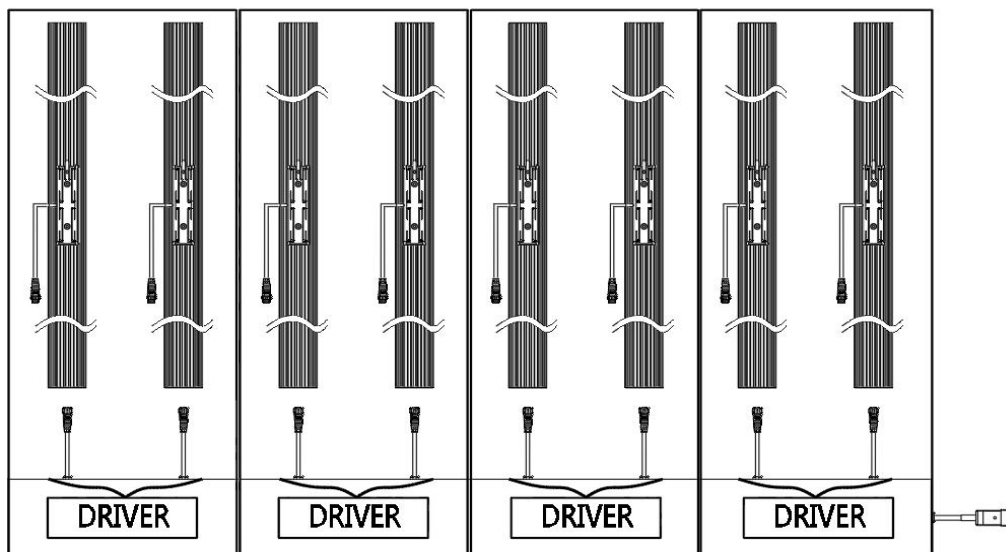
Step 4: Same steps for other bars.

Last Step : Hanging the lights and then connecting the power supply.

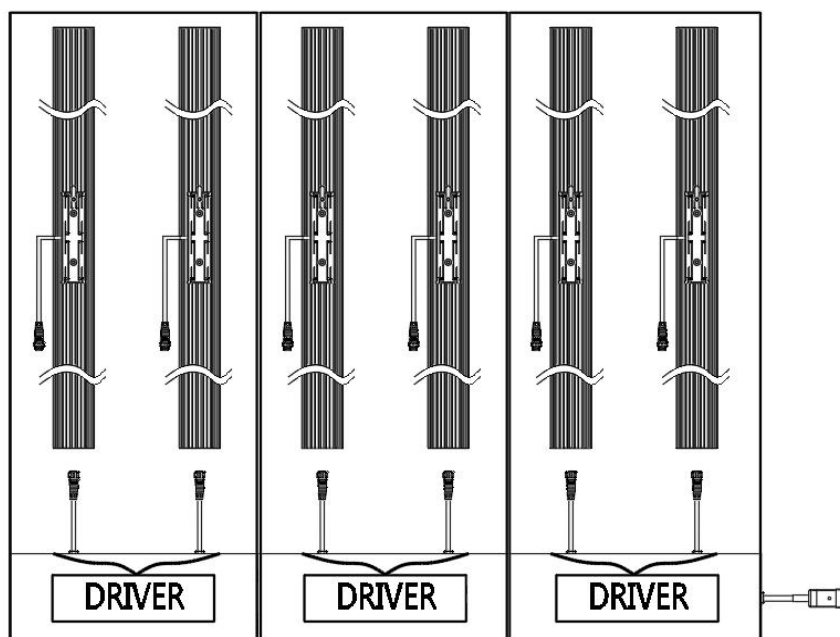


## 7. DC distribution DIAGRAM

S-8-960:



S-6-720:



Do not remove single bar from one group of one driver while S-720/960 is still powered on, rest bar (s) of the group may get burnt by current overloading.

## 8. Operation

### 8.1 Safety measures & precaution



Warning! This LED fixture is powered with electricity (AC100-277V)! To prevent injury, we ask you to desist from improper use!

- Never open the case of the device! Health hazards await the consumer and the warranty of the device expires.

### 8.2 Putting into service

Operate the LED fixture only horizontally, while hanging or slightly angled (approx. about 20°). Deploy the LED lamp fixture about 40-50cm (at least 40cm!) above the top of the plants;

### 8.3 Proper use

Do not use the LED fixture vertically or as illumination device upside-down (direct eye contact and long exposure over time may cause permanent damage to your eyesight!).

We don't advise you to deploy the device as a room illuminant. It is exclusively designed and developed for plant breeding, cultivation and hibernation. Please ensure that the LED fixture is being operated out of sight and out of reach of children and animals to protect their eyes!